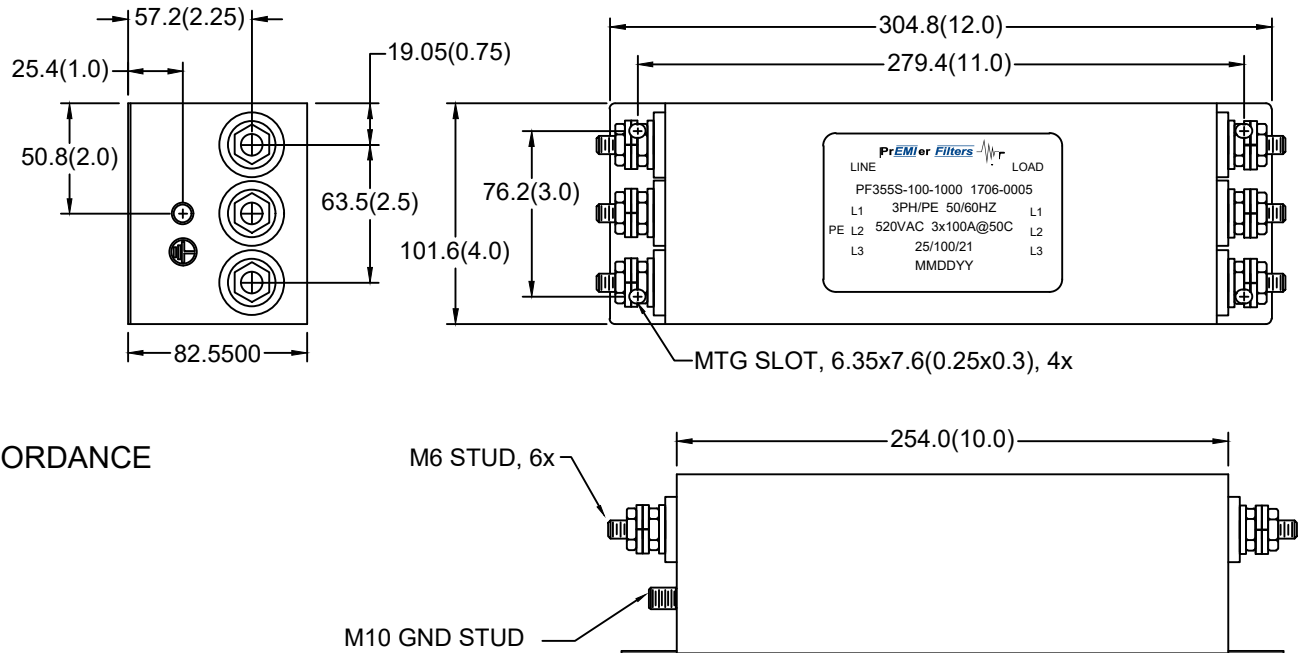


PF355S-100-1000

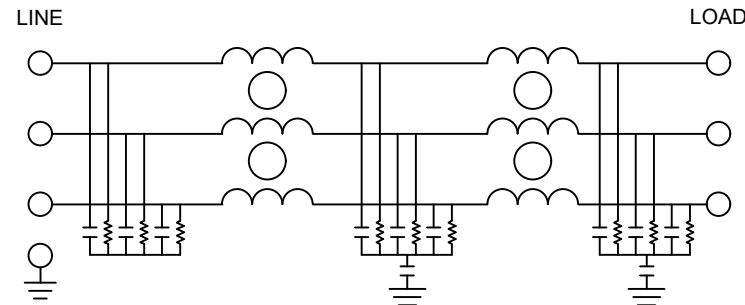
3PH DELTA COMMERCIAL/INDUSTRIAL FILTER
DUAL STAGE / CHASSIS MOUNT

SPECIFICATIONS

MAX VOLTAGE: 0-520VAC
 MAX CURRENT: 100A/LINE
 USABLE FREQUENCY: 50/60/400HZ
 OPERATING TEMP.: -40 TO 50C
 LEAKAGE CURRENT (250V/60HZ): <3.5mA
 TYP. WEIGHT, LB(KG): 14.0(6.36)
 CLIMATIC CLASS: 25/100/21
 DESIGNED AND MANUFACTURED IN ACCORDANCE
 WITH THE FOLLOWING STANDARDS:
 EN60939-3
 CSA22.2 NO. 8
 LV DIRECTIVE



SCHEMATIC



TYPICAL INSERTION LOSS, 50/50 OHM

| FREQ(HZ) | 150K | 500K | 1M | 10M | 30M |
|----------|------|------|----|-----|-----|
| CM, dB | 72 | 76 | 74 | 70 | 40 |
| DM, dB | 66 | 74 | 76 | 70 | 40 |