

PF355S-80-1000

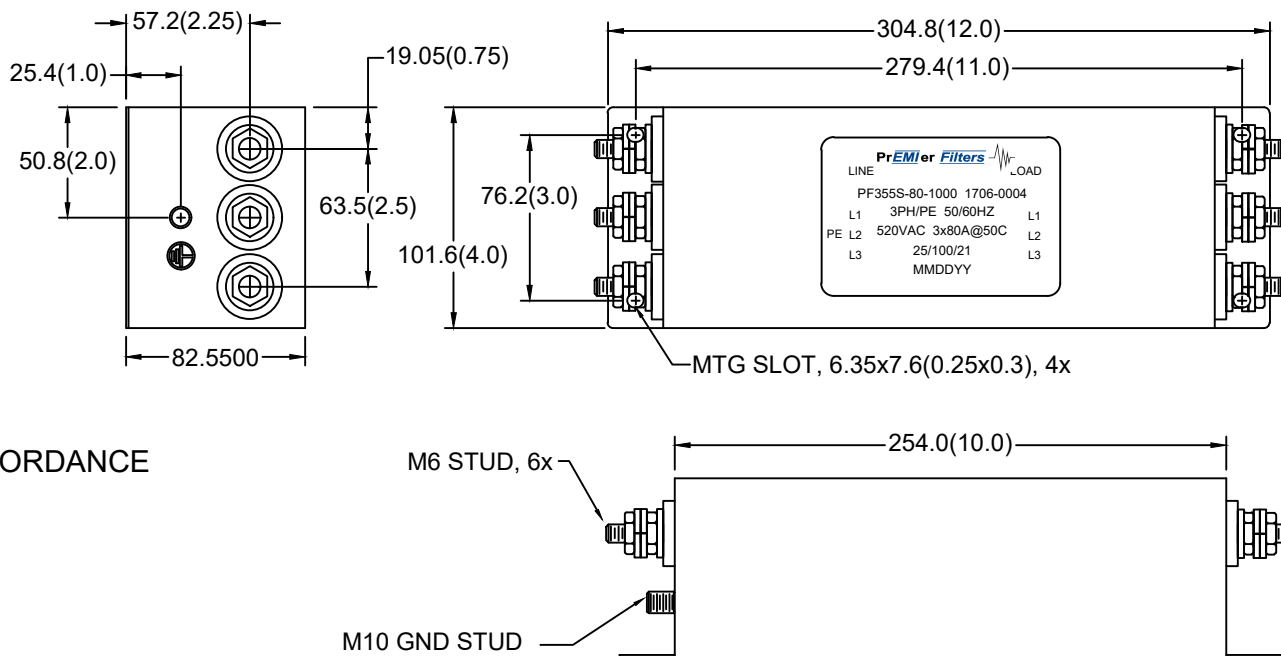
3PH DELTA COMMERCIAL/INDUSTRIAL FILTER DUAL STAGE / CHASSIS MOUNT

SPECIFICATIONS

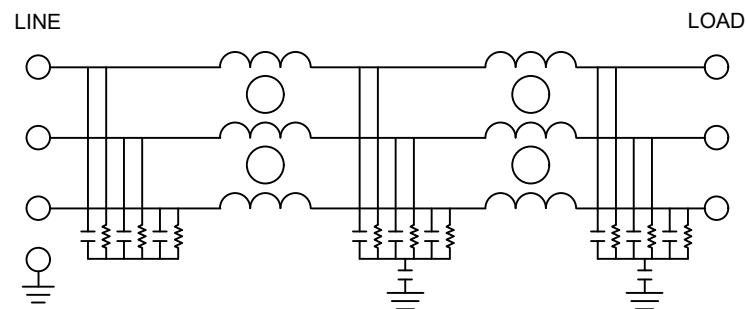
MAX VOLTAGE: 0-520VAC
 MAX CURRENT: 80A/LINE
 USABLE FREQUENCY: 50/60/400HZ
 OPERATING TEMP.: -40 TO 50C
 LEAKAGE CURRENT (250V/60HZ): <3.5mA
 TYP. WEIGHT, LB(KG): 14.0(6.36)
 CLIMATIC CLASS: 25/100/21

DESIGNED AND MANUFACTURED IN ACCORDANCE
 WITH THE FOLLOWING STANDARDS:

EN60939-3
 CSA22.2 NO. 8
 LV DIRECTIVE



SCHEMATIC



TYPICAL INSERTION LOSS, 50/50 OHM					
FREQ(HZ)	150K	500K	1M	10M	30M
CM, dB	72	76	74	70	40
DM, dB	66	74	76	70	40