

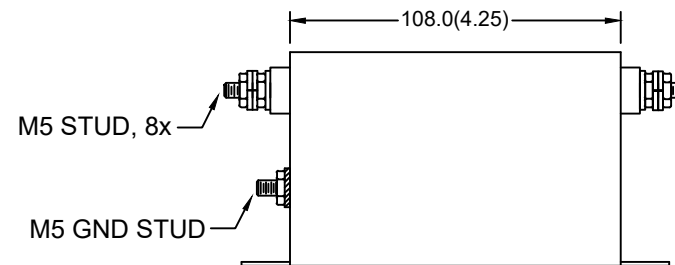
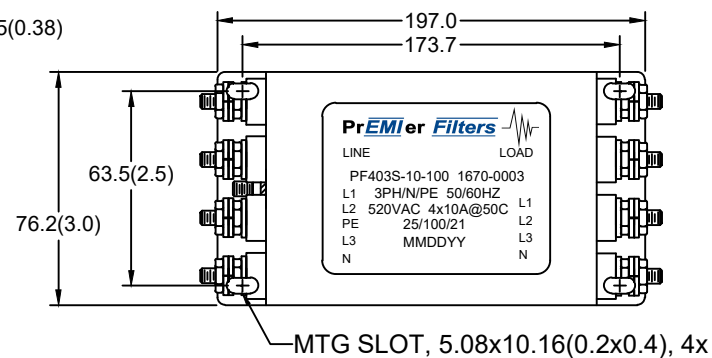
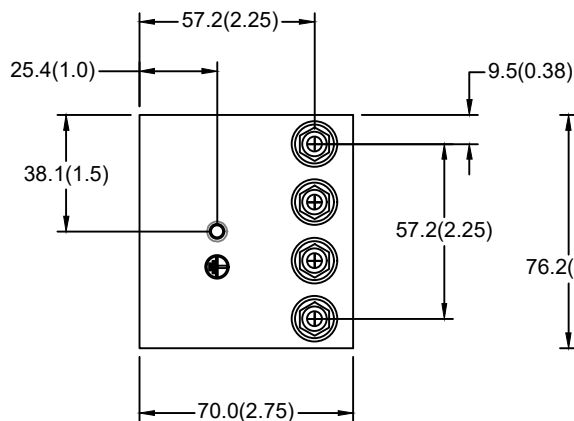
PF403S-10-100

3PH WYE COMMERCIAL/INDUSTRIAL FILTER
SINGLE STAGE / CHASSIS MOUNT

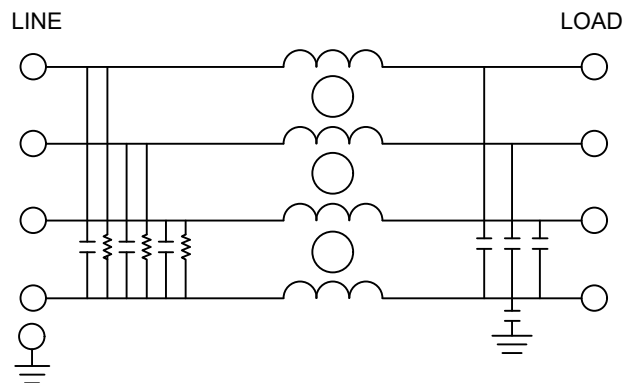
SPECIFICATIONS

MAX VOLTAGE: 0-520VAC
MAX CURRENT: 10A/LINE
USABLE FREQUENCY: 50/60/400HZ
OPERATING TEMP.: -40 TO 50C
LEAKAGE CURRENT (250V/60HZ): <1mA
TYP. WEIGHT, LB(KG): 3.8(1.7)
CLIMATIC CLASS: 25/100/21
DESIGNED AND MANUFACTURED IN ACCORDANCE
WITH THE FOLLOWING STANDARDS:

EN60939-3
CSA22.2 NO. 8
LV DIRECTIVE



SCHEMATIC



TYPICAL INSERTION LOSS, 50/50 OHM					
FREQ(HZ)	150K	500K	1M	10M	30M
CM, dB	48	56	62	50	40
DM, dB	46	70	72	66	50