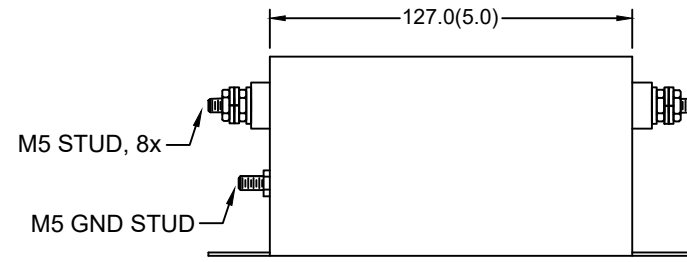
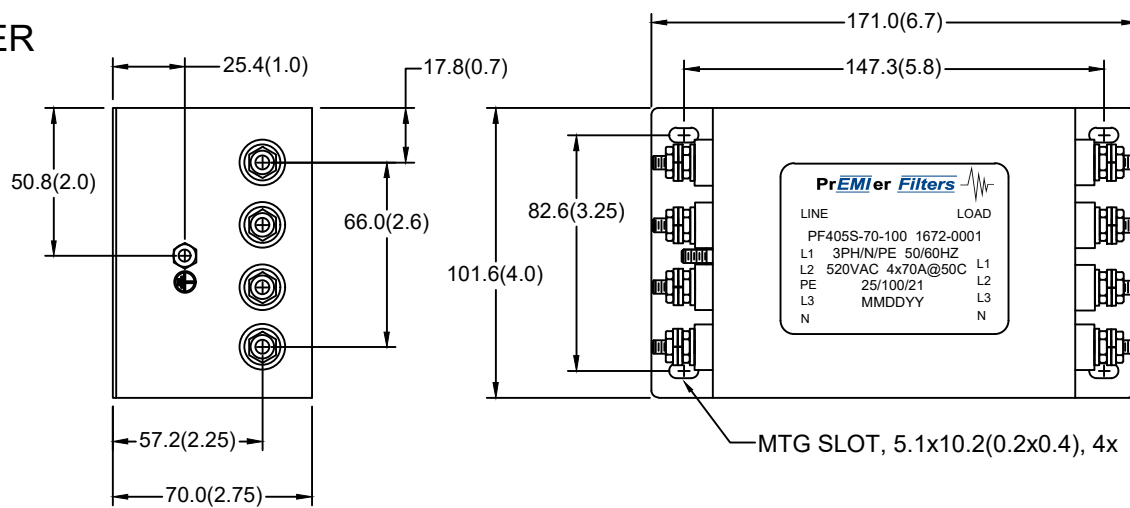


## PF405S-70-100

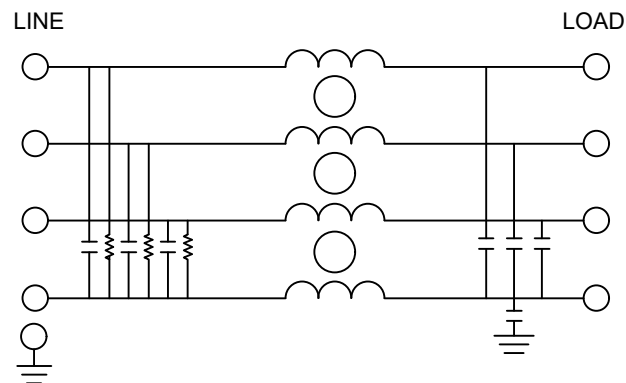
### 3PH WYE COMMERCIAL/INDUSTRIAL FILTER SINGLE STAGE / CHASSIS MOUNT

#### SPECIFICATIONS

- MAX VOLTAGE: 0-520VAC
- MAX CURRENT: 70A/LINE
- USABLE FREQUENCY: 50/60/400HZ
- OPERATING TEMP.: -40 TO 50C
- LEAKAGE CURRENT (250V/60HZ): <1mA
- TYP. WEIGHT, LB(KG): 4.2(1.9)
- CLIMATIC CLASS: 25/100/21
- DESIGNED AND MANUFACTURED IN ACCORDANCE WITH THE FOLLOWING STANDARDS:
  - EN60939-3
  - CSA22.2 NO. 8
  - LV DIRECTIVE



#### SCHEMATIC



TYPICAL INSERTION LOSS, 50/50 OHM					
FREQ(HZ)	150K	500K	1M	10M	30M
CM,dB	62	70	72	56	52
DM, dB	52	72	80	80	66